

THE ULTIMATE



**Simpson
Davits**

CANTILEVER DAVITS



The Simpson Cantilever Davit designed for boats with bathing platforms. A futuristic and stylish yet unobtrusive design, giving the effect of the dinghy being suspended in mid-air.

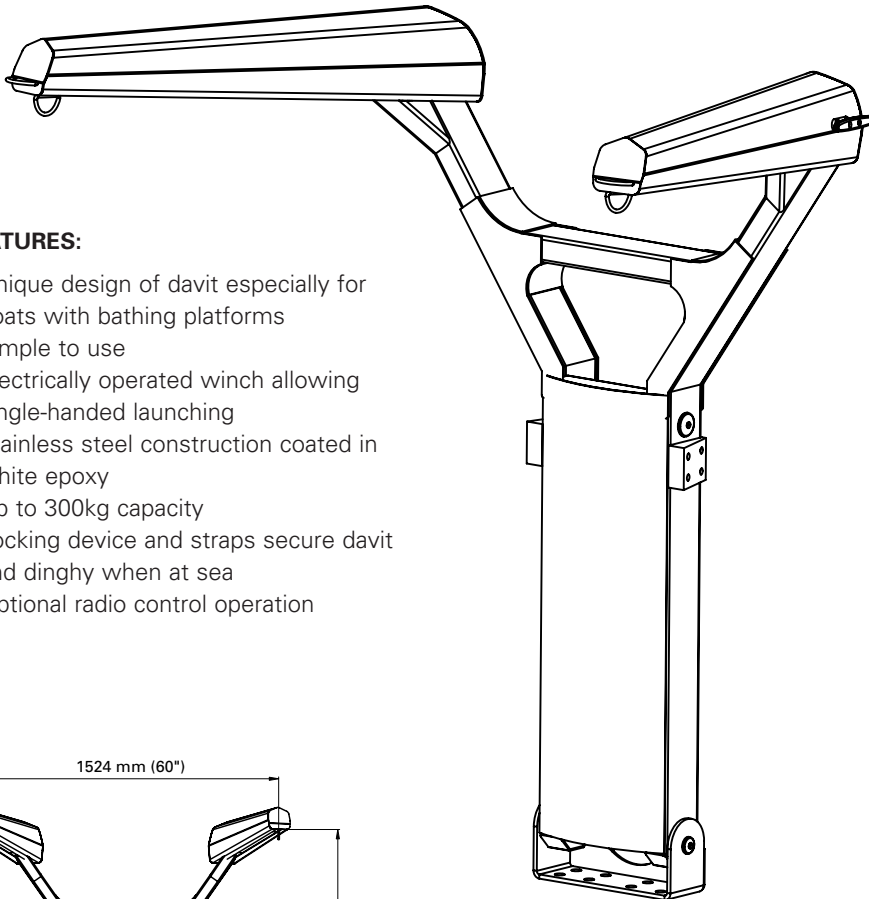


ADVANCED STAINLESS
• ENGINEERING •

SPECIFICATIONS

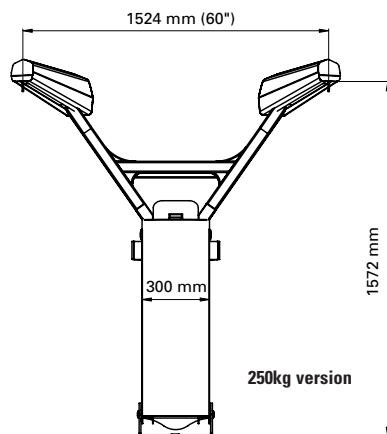
CANTILEVER DAVITS

Simpson Davits

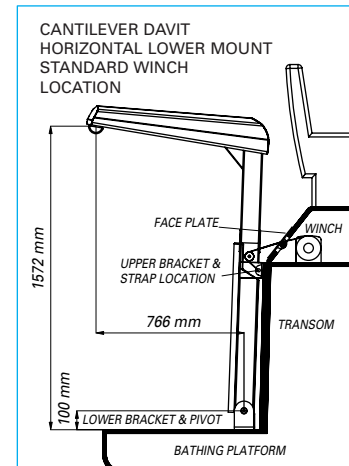


FEATURES:

- Unique design of davit especially for boats with bathing platforms
- Simple to use
- Electrically operated winch allowing single-handed launching
- Stainless steel construction coated in white epoxy
- Up to 300kg capacity
- Locking device and straps secure davit and dinghy when at sea
- Optional radio control operation

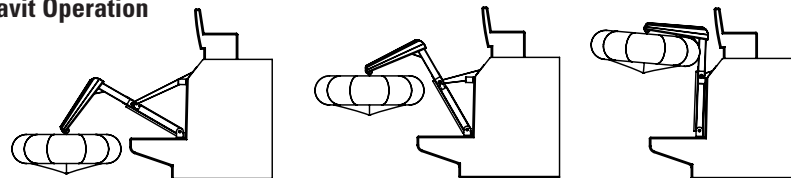


Mounting Options



250kg version

Davit Operation



MODEL	SWL
CD250STD	250kg
CD300STD	300kg



Cooney Marine International Limited Telford Way Kettering Northants NN16 8UN United Kingdom

Tel: +44 (0) 1536 484481 Fax: +44 (0) 1536 411580 e.mail: sales@cooneymarine.co.uk

www.cooneymarine.co.uk www.simpsondavits.co.uk

Pictures courtesy of Oyster Marine and Broom Boats