

# THE ULTIMATE



Pictures courtesy of Oyster Marine

## CLEATS & FAIRLEADS



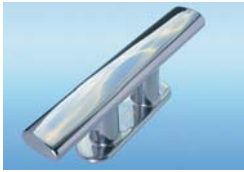
A range of the highest quality cleats and fairleads, manufactured in Britain in 316 stainless steel and polished to perfection. Available with backing plates and all necessary fastenings.



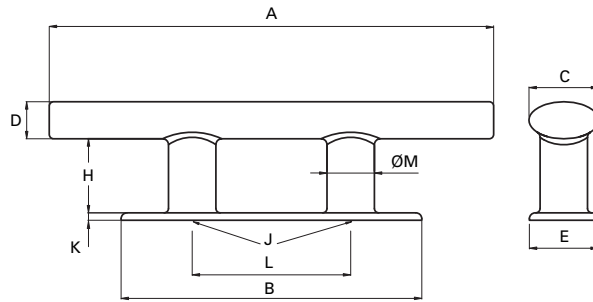
ADVANCED STAINLESS  
• ENGINEERING •

# SPECIFICATIONS

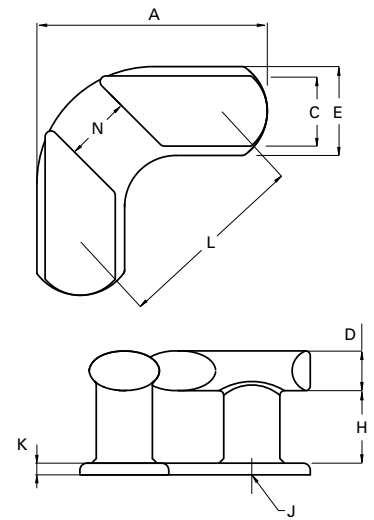
## CLEATS & FAIRLEADS



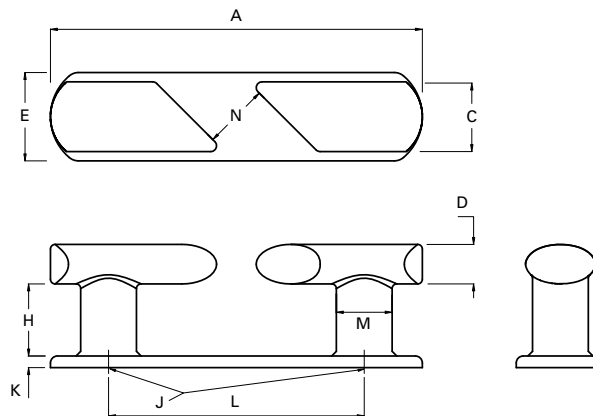
**Cleats**



**Corner Fairlead**



**Standard Fairlead**



**CLEATS**

PART NUMBER	A	B	C	D	E	H	J	K	L	M
CL-8INCH	203	115	30	17	38	32	M12	5	64	24
CL-10INCH	254	152	47	25	46	50	M16	5	75	32
CL-12INCH	304	203	47	25	46	50	M16	5	108	32
CL-12INCH-L	304	203	61	37	46	50	M16	5	108	32
CL-14INCH	355	255	55	35	50	75	M20	5	158	41

**STANDARD FAIRLEAD**

PART NUMBER	A	C	D	E	H	J	K	L	M	N
SF-SMALL-L	160	30	15	38	32	M12	5	110	24	30
SF-SMALL-R	160	30	15	38	32	M12	5	110	24	30
SF-LARGE-L	203	47	25	50	32	M16	5	152	32	35
SF-LARGE-R	203	47	25	50	32	M16	5	152	32	35

**CORNER FAIRLEAD**

PART NUMBER	A	C	D	E	H	J	K	L	N
CF-CORNER	100	30	15	38	32	M12	5	80	30

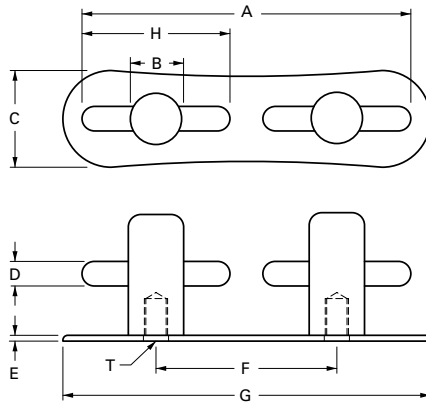
**NOTE:**  
Backing plates, studs and nuts available separately

# SUPERYACHT CLEATS & FAIRLEADS

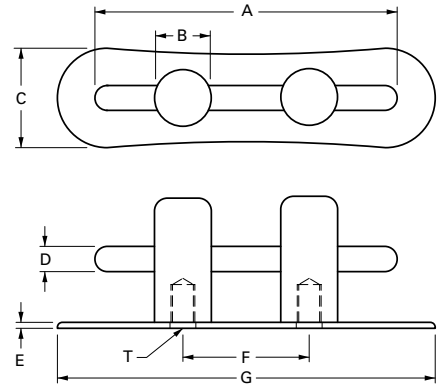
Bollard Fairlead / Cleat  
in solid stainless steel



**Bollard Fairlead / Cleat SY1002**



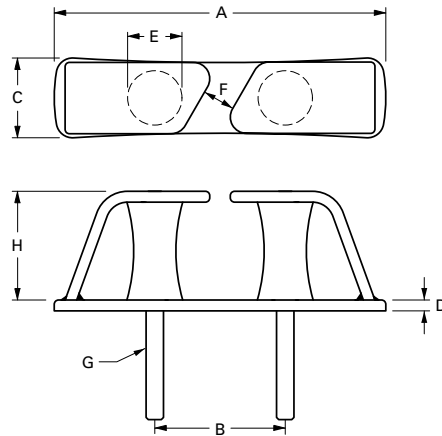
**Bollard Cleat SY1001**



Roller Fairlead with  
bronze bearings



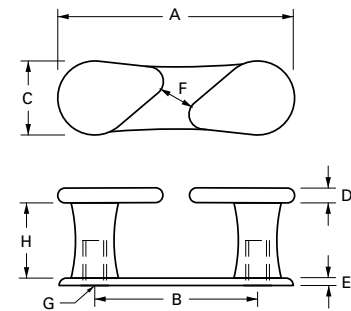
**Roller Fairlead SY1003**



Teardrop Fairlead with shaped  
supports in solid stainless steel



**Teardrop Fairlead SY1004**



**BOLLARD CLEAT**

PART NUMBER	A	B	C	D	E	F	G	T
SY1001	304	60	100	25	6	127	380	M24

**BOLLARD FAIRLEAD / CLEAT**

PART NUMBER	A	B	C	D	E	F	G	H	T
SY1002	340	60	100	25	6	187	380	153	M24

**ROLLER FAIRLEAD**

PART NUMBER	A	B	C	D	E	F	G	H
SY1003	305	120	75	10	50	26	M16	100

**TEARDROP FAIRLEAD**

PART NUMBER	A	B	C	D	E	F	G	H
SY1004	160	110	50	10	5	22	M16	50

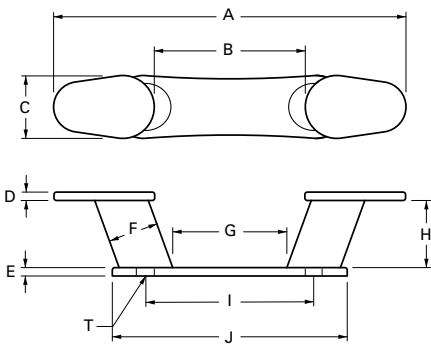
# SPECIFICATIONS

## SUPERYACHT CLEATS & FAIRLEADS



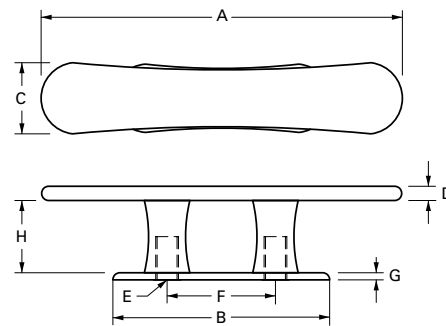
Large Staghorn Cleat with heavy gauge tubular supports / solid bar top and base plate

**Stag Horn Cleat SY1005 / SY1006**



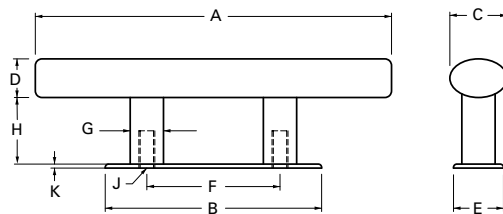
Profile Cleat with solid bar top and shaped supports and base plate

**Profile Cleat SY1009 / SY1010 / SY1011**



Large Oval Cleat with parallel supports and base plate

**Large Oval Cleat SY1007 / SY1008**



### STAGHORN CLEAT

PART NUMBER	A	B	C	D	E	F	G	H	I	J	T
SY1005	419	179	75	10	10	60	136	80	20	280	M20
SY1006	304	134	60	10	10	43	94	65	140	203	M16

### LARGE OVAL CLEAT

PART NUMBER	A	B	C	D	E	F	G	H	J	K
SY1007	535	325	86	58	75	200	50	100	M24	5
SY1008	405	276	86	58	75	150	50	100	M24	5

### PROFILE CLEATS

PART NUMBER	A	B	C	D	E	F	G	H
SY1009	254	150	50	10	M16	76	5	50
SY1010	304	185	50	10	M16	110	5	50
SY1011	355	250	60	12	M20	158	6	75

